

SPECIFICATION

A: MATERIAL:

- 1.BODY: PC
- 2.TERMINAL: Cu PLATED Sn
- 3.PIN: Cu PLATED Ni

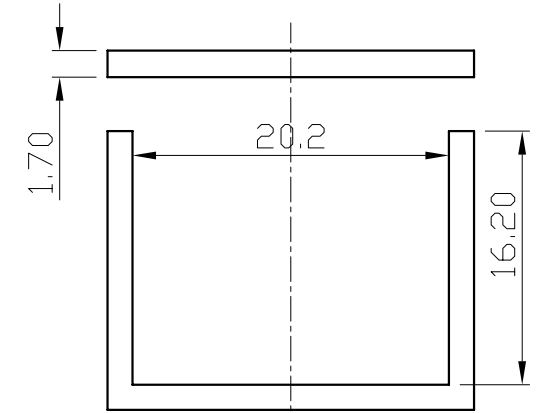
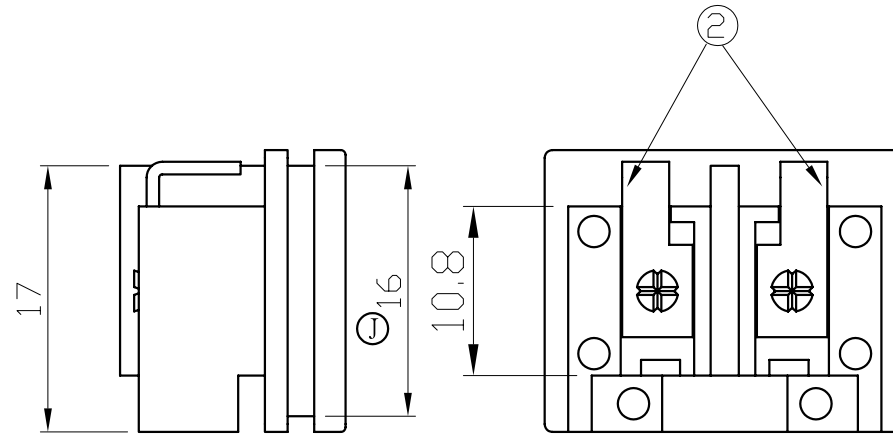
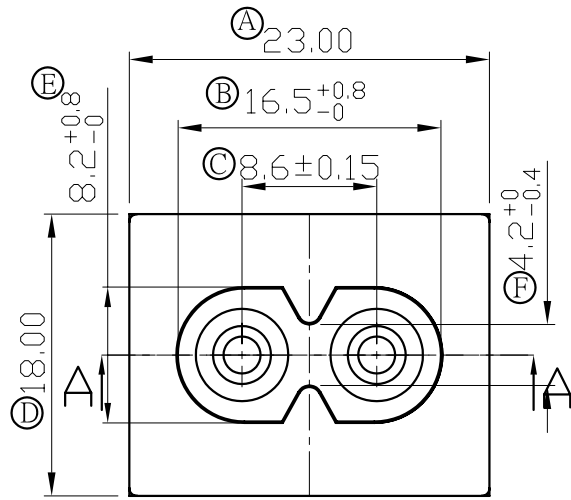
B: CHARACTERISTICS:

- 1.RATING: 2.5A 250V~(C-ULus,KC, ENEC & CCC & KC)
- 2.INSULATION RESISTANCE:100MΩ MIN,AT 500VDC
- 3.ELECTRIC STRENGTH : 3000 VAC/1MIN,LEAKAGE CURRENT UNDER 0.5mA

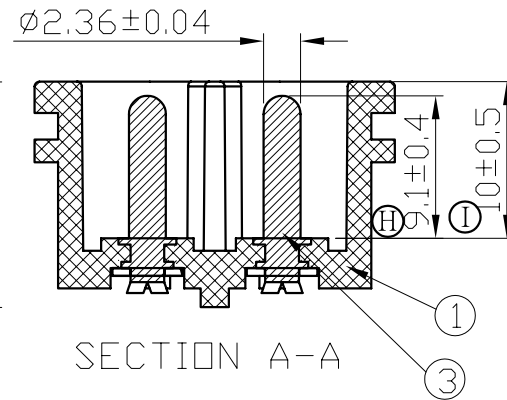
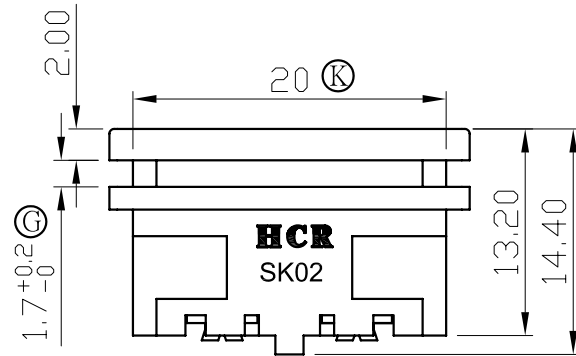
C: APPROVALS:C-ULus, ENEC & CCC & KC

D: MATERIAL USED MUST BE COMPLY WITH HQI-0010

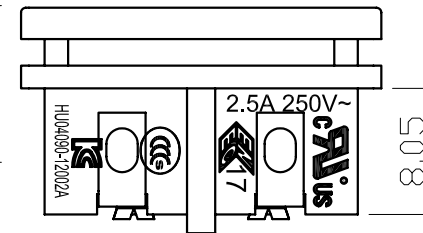
E: CAN MEET ROHS,ROHS2.0,HF



PANEL CUT-OUT



SECTION A-A



TOLERANCES UNLESS OTHERWISE 未指定容許差尺寸之公差	
BASIC DIMENSIONS TOLERANCES	
UP TO 10 (10以下)	±0.15
ABOVE 10 TO 30(10~30)	±0.3
ABOVE 30 TO 100 (30~100)	±0.5
ANGULAR DIMENSIONS(角度)	±5°
DIMENSION UNIT	mm

東莞市華之力電子有限公司 DONGGUAN HCR ELECTRONICS CO., LTD.

2					核准 APPROVED BY	AaronJin	日期 DATE	20120328	投影法 PROJECT		機型 PART NAME	INLET SOCKET
1					校對 CHECKED BY	RZTang	日期 DATE	20120328	比例 SCALE	1:1	型號 PART NO	SK02
0	2012/8/15	新制定	A0	WeiChen	RZTang	繪圖 DRAWN BY	日期 DATE	20120328	路徑 DWG NO	E:\成品圖 SK02\820082	料號 ITEM NO	SK02-400112223H
NO	DATE	REVISION DESCRIPTION	REVISION	DRAWN	APPROVED							